

**PRODUCT TECHNICAL SHEET**

Collection : **DYNAMIC**

Ref. : **4027.--.41**

Mélangeur de lavabo monotrou, bec 135mm, vidage

Wastafelmengkraan, uitloop 135mm en lediging

Sink mixer, spout 135mm and waste

**Picture**

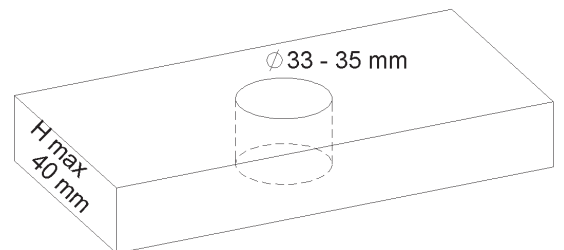
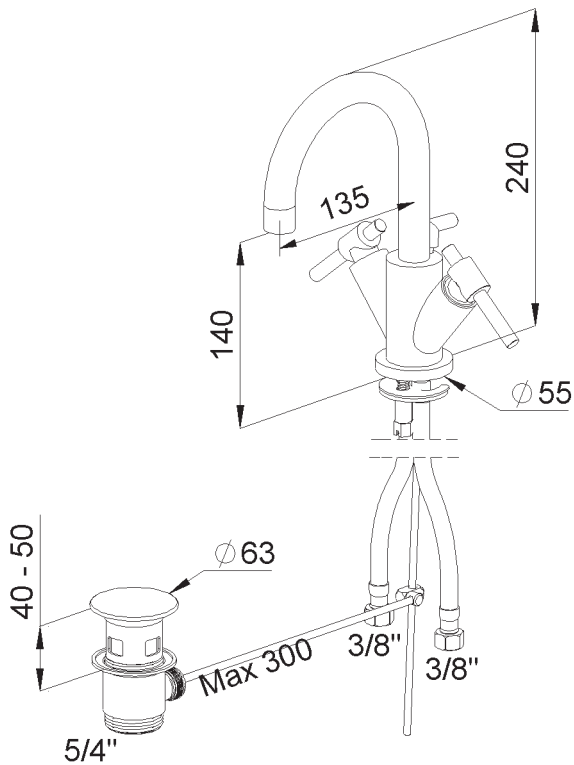
**Product details**



Flow at 3 bar : 7 l/min

Internal mechanism : Ceramic valve 1/4 turn

**Technical drawing**



RAO.V01